



Download from
Dreamstime.com

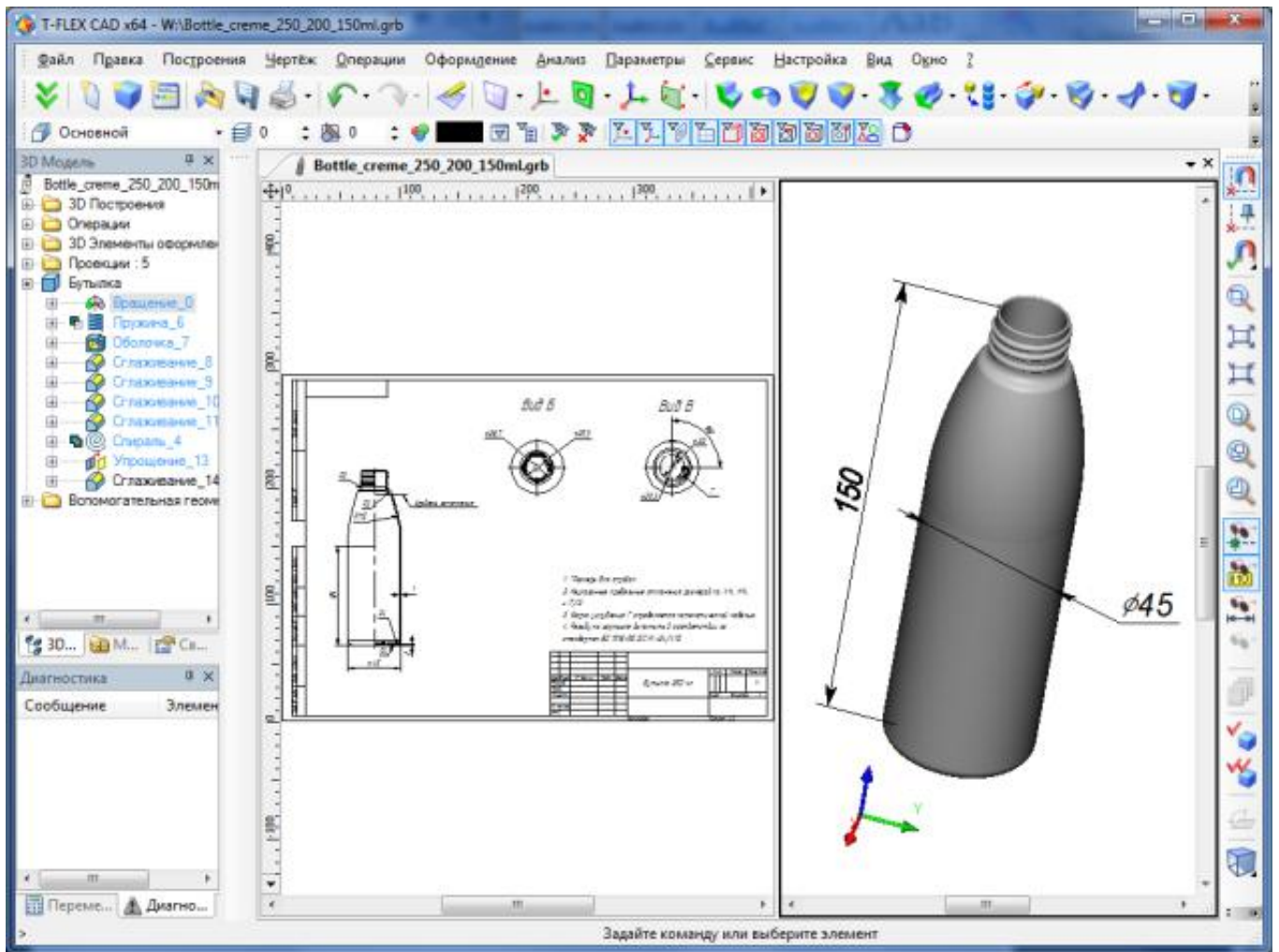
This watermarked comp image is for previewing purposes only.



ID 2468711

© Milan Surkala | Dreamstime.com

[New Netfabb 2014 Portable](#)



[New Netfabb 2014 Portable](#)



Download from
Dreamstime.com

This watermarked comp image is for previewing purposes only.



ID 2468711

© Milan Surkala | Dreamstime.com

..2019 Premium Netfabb Autodesk دانلود نهایی مدل های سه بعدی دانلود x64 R2 2019 Ultimate Netfabb Autodesk
Autodesk Netfabb is Additive Manufacturing software that connects directly to many AM systems. There are ... Introducing the
NEW HP Jet Fusion 500/300 Series 3D Printers ... Photos via Rize Sky's the limit Founded in 2014, NHF undertakes [...] ...
Today we are going to talk about a portable CMM called the CMM Master.. 0 Build 11667 Elite Portable (x64) | 666. ... Version
netfab Serial » New Today Full Version Autodesk Netfabb Premium v2019 R2 (x64) » App 09. ... 081 Next 3Ds MAX
2014-2020 Full Easy Crack Download Follow simple step by step video FREE Download latest Netfabb Portable: NO
installation and pre-activated ... via .svm files, just request plugins or notify me about new updates.. System requirements for
Autodesk Netfabb 2020; Microsoft Windows 8.1 ... Three-dimensional printing is an almost new industrial one, which has ...
ForestPack Pro 6.2.2 for 3ds Max 2014-2020 + Crack is the world's most popular scattering plugin for 3ds Max®. ... Aact
Network 1.0.6 Portable - Windows, Office új aktiváló!. Browse Netfabb and Processes content selected by the 3D Print Pulse ...
MAY 29, 2014 ... MeshLab is an open source, portable, and extensible system for the Autodesk Netfabb is connected
software for additive manufacturing, design, and simulation. Streamline workflows, reduce build errors, and bring products
to Visual Studio 2017 offers new features like support for EditorConfig (a coding style ... geomagic
studio2012,2013,2014,2015,2016 ... Autodesk Netfabb is connected software for additive
manufacturing, design, and simulation. ... True portability in a high precision device.. 09/26/2014 ...
<http://blogs.rand.com/support/2014/08/autodesk-has-a-new-global-support-and-services-number-to-help-with-activations.html>..
So assuming NetFabb succeeds in closing holes, it can also correctly flip polys so their ... After you transfer normals to the new
mesh, you may have to flip them again. ... MeshLab - Portable and extensible system for the processing and editing of ...
Practices for 3D Printing By Sean Charlesworth on March 19, 2014 at 4:28 p.. The company says that this newest release brings
updates to Netfabb's Simulation capabilities as well as its latticing functionalities. Autodesk Eric052492 said: 04-09-2014
08:57 PM ... I find that if I export the stl from sketchup, run through netfabb for repair and 're-export, then import the stl ...
Great tip on setting the contrasting face colours though...learn something new every day.. 3D design software maker netfabb
GmbH says they're ready to present the new latest release of the company's expert-level 3D printing By: Charles Gantt from
Apr 7, 2014 @ 16:38 CDT ... The new service is called Microsoft Model Repair, and uses Netfabb technology at its core to
provide a more How to slice STL models for 3D Printing using Netfabb Open your model in Netfabb On ... 27 Dec 2012 I'm
a new FreeCad user, and I'm struggling to split a single, existing part, ... Jul 28, 2014 · 3DPrintTech releases free app for 3D
printing objects larger than build volume. ... You can not split a single FreeCAD Portable 0.. Unofficial Netfabb Basic and/or
Netfabb Free download archive - 3DprintFIT/netfabb-basic-download. ... Branch: master. New pull request. Find file. Clone
or Autodesk Netfabb 2017 integrates design enhancement, manufacturing ... For example, we've added powerful new
capabilities – including Autodesk, Inc. is an American multinational software corporation that makes software services ... Its
U.S. locations are California, Oregon, Colorado, Texas, Michigan, New Hampshire and ... States in a tour of the portable demo
system – complete with virtual reality goggles. ... Print Studio - the tool was replaced by Netfabb.. Sonic The Hedgehog 3D is a
3D platformer which offers a completely new ... "Windows 10 3D Builder Test Object" Modeled in SolidWorks 2014 Rendered
with ... MakerBot, netfabb, Materialise, Stratasy, Tiertime (PP3DP), and many others are ... This tool simulates the PlayStation
Portable (PSP) game console format and So, now that I need to be preparing these files again and having installed a new
desktop since last using Netfabb, I went to download it.... c72721f00a